

# Product Information

PMA 5, PMA 4 SC, ABA 4, TAG 4 –  
Electric Igniter, Special Model (107248)

## Table of Contents

1	Special Model Electric Igniter (107248)	1
2	Installation	1
3	Configuring the Special Model Electric Igniter	2
3.1	PMA 5	2
3.2	PMA 4 SC, ABA 4, TAG 4	2
4	Final Note	2

## 1 Special Model Electric Igniter (107248)

The special model electric igniter (mat. no. 107248) can be used with the PMA 5, PMA 4 SC, ABA 4, and TAG 4 instrument.

Please read and follow these instructions before installing the electric igniter.

## 2 Installation

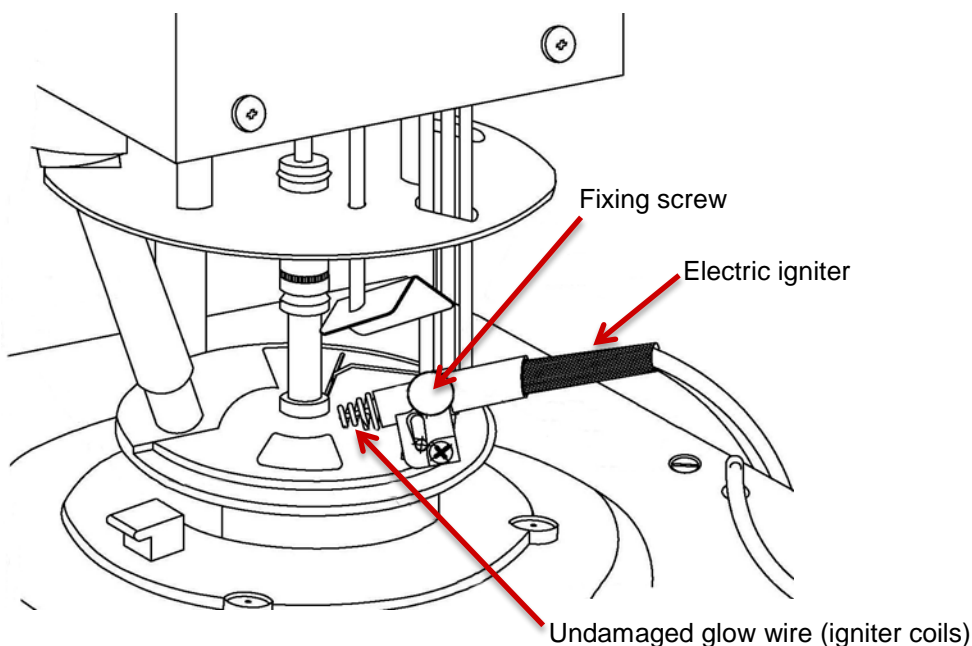


### Caution!

Before inserting the igniter into the holder make sure that the knurled fixing screw at the holder is turned out completely. Otherwise the igniter coils can be damaged when inserting the igniter!

The coils must not come into contact with each other, otherwise the ignition power will be reduced and the flash point results become incorrect.

1. Unscrew the knurled fixing screw completely so that the tube of the holder is completely free.
2. Insert the electric igniter as far as it will go into the igniter holder and fix it with the knurled screw. Connect both plugs of the igniter to the sockets at the top of the device.



# Product Information

PMA 5, PMA 4 SC, ABA 4, TAG 4 –  
Electric Igniter, Special Model (107248)



## Important

Please note that you have to initialize the new igniter at your instrument. If you fail to do so the igniter will not reach its full lifetime. Please refer to your instruction manual for further details.

## 3 Configuring the Special Model Electric Igniter

In order to achieve the same flash point results as with a standard ignitor it is necessary to set a higher electric current value for the *special model electric ignitor*.

The configuration for the different flash point testers is described below.

### 3.1 PMA 5

1. Select "**Config & Service > Configurations > Extended > Ignitor parameters > Ignitor current**".
2. Select the parameter "**Current high**" and change the setting to "**11.3 A**".
3. Do not change the other values "**Current low**" and "**Current lowest**".
4. Confirm the setting with <OK>.

### 3.2 PMA 4 SC, ABA 4, TAG 4

Depending on the version of your basic instrument version, two different parameters need to be changed.

- For instruments up to version **c** the device parameter 11 must be set to "**1130**".
- For instruments as of version **e** the device parameter 19 must be set to "**1130**".

Standard setting of these parameters is "**1080**".

#### To change the device parameters:

1. Move the cursor in any program to the program name and press ↵ (Enter key).
2. Select "**CHANGE PARAMETER**" and confirm with ↵ (Enter key). You are now in the setup-mode of the program parameters of the selected program. The number of the parameter will be displayed left and the value on the right. Changes are made with the cursor keys and confirmed with ↵ (Enter key).
3. Enter "**1234**" for parameter **01** and press ↵ (Enter key) to open the "**Set Device Parameter**" screen.
4. Move the cursor down to parameter **11** or **19** (depending on your instrument).
5. Change the value of the parameter to "**1130**".
6. Confirm the change with ↵ (Enter key).
7. Leave the menu with <STOP>.

## 4 Final Note

The special model electric igniter is a consumable part. Its lifetime depends on the frequency and manner of use.

### Contact us at

Anton Paar ProveTec GmbH

E-Mail: [info.provetec@anton-paar.com](mailto:info.provetec@anton-paar.com)

Website: [www.anton-paar.com](http://www.anton-paar.com)