

## 1 Installing the Electric Igniter (107206)

The electric igniter (mat. no. 107206) can be used with the PMA 5, PMA 4 SC, ABA 4, and TAG 4 instrument. Please read and follow these instructions before installing the electric igniter.

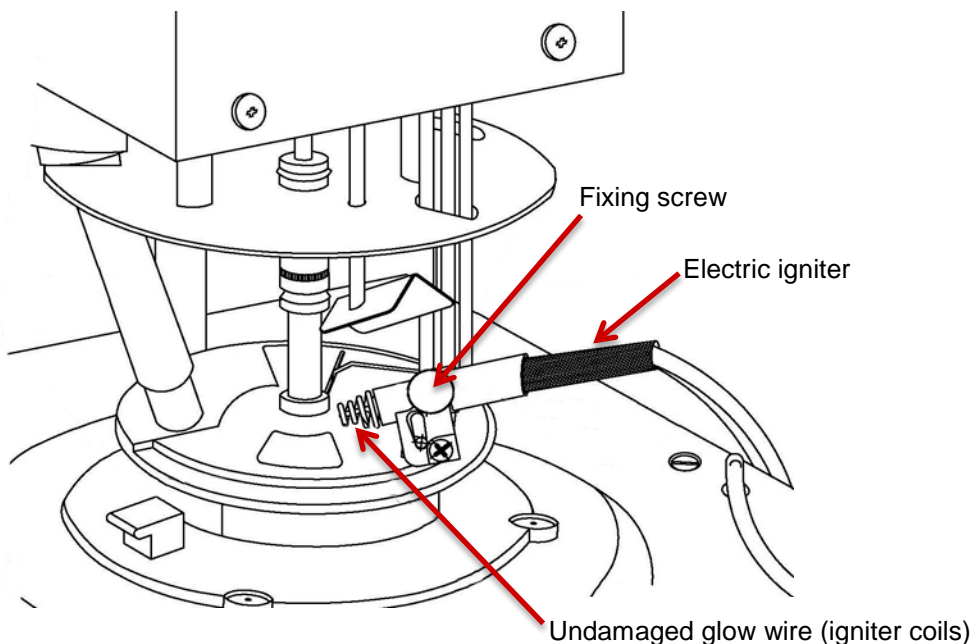


### Caution!

Before inserting the igniter into the holder make sure that the knurled fixing screw at the holder is turned out completely. Otherwise the igniter coils can be damaged when inserting the igniter!

The coils must not come into contact with each other, otherwise the ignition power will be reduced and the flash point results become incorrect.

1. Unscrew the knurled fixing screw completely so that the tube of the holder is completely free.
2. Insert the electric igniter as far as it will go into the igniter holder and fix it with the knurled screw. Connect both plugs of the igniter to the sockets at the top of the device.



### Important

Please note that you have to initialize the new igniter at your instrument. If you fail to do so the igniter will not reach its full lifetime. Please refer to your instruction manual for further details.

The electric igniter is a consumable part. Its lifetime depends on the frequency and manner of use.

### Contact us at

Anton Paar ProveTec GmbH

E-Mail: [info.provetec@anton-paar.com](mailto:info.provetec@anton-paar.com)

Website: [www.anton-paar.com](http://www.anton-paar.com)